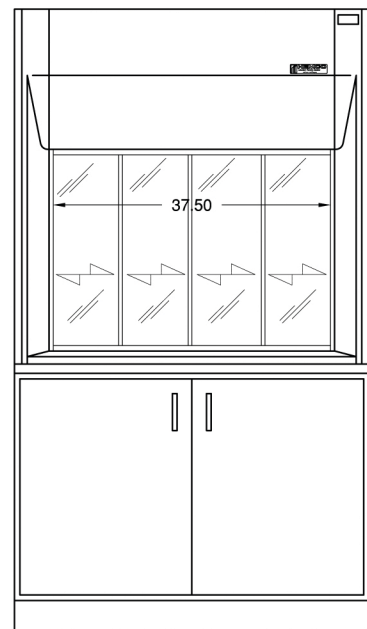


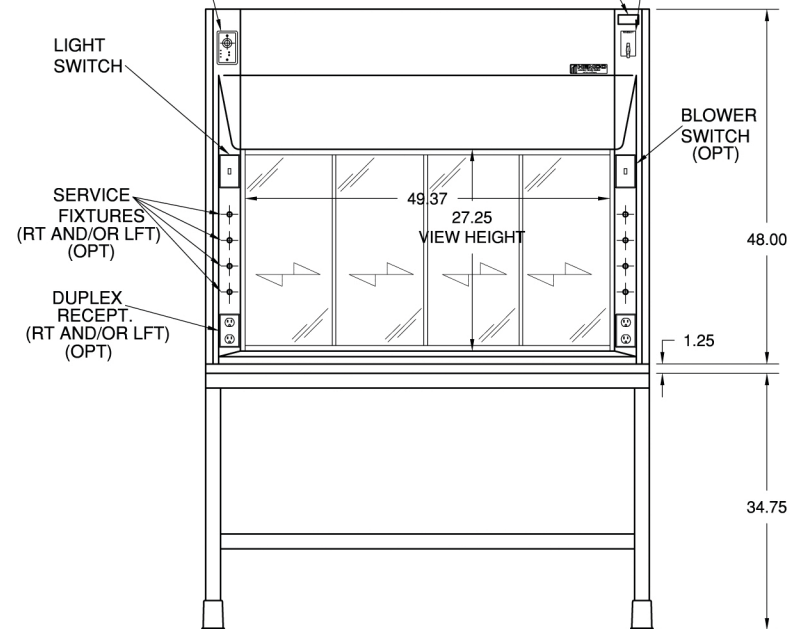
FIRE EXTINGUISHER (OPT)  
HEAT ACTIVATED DISCHARGE  
USCG AND FM APPROVED

AIR FLOW  
MONITOR(OPT)

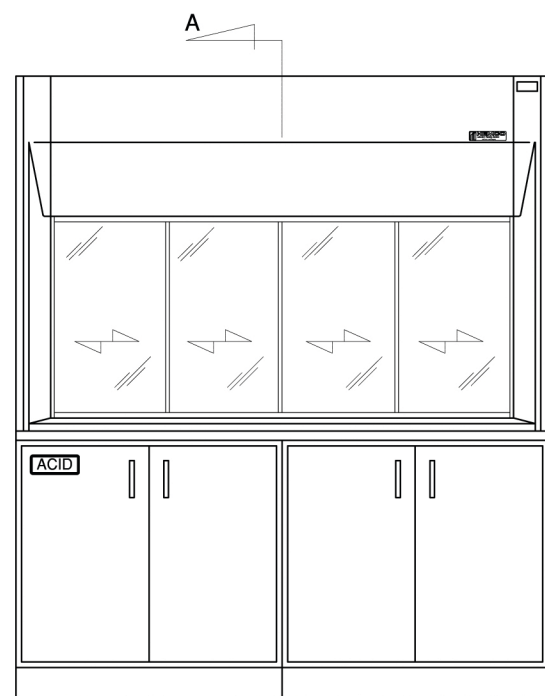
SER. # & I.D. PLATE



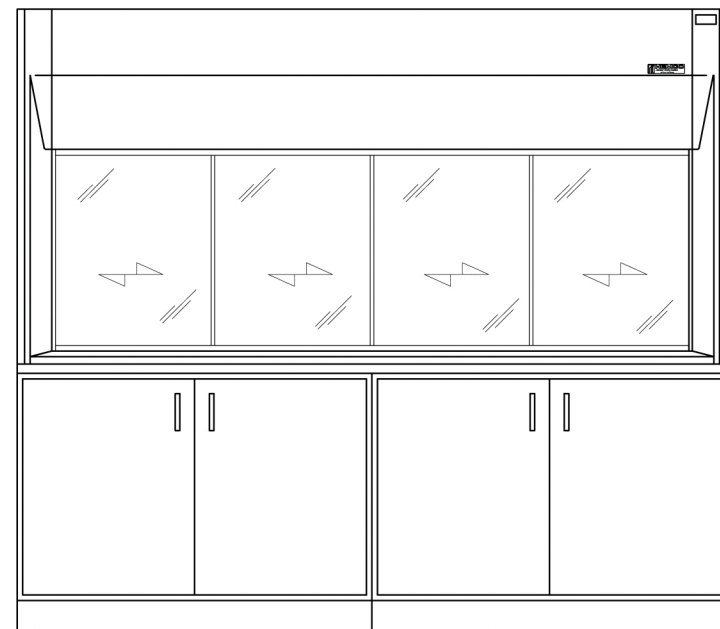
**MODEL X**  
(WITH OPTIONAL BASE CABINET  
AND WORKSURFACE)



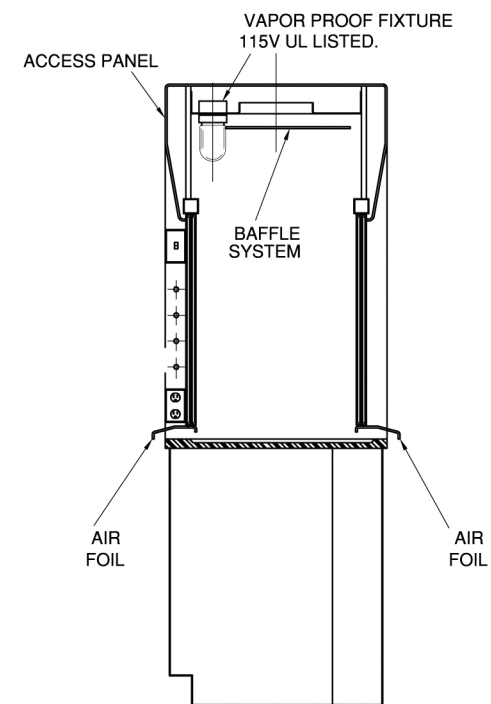
**MODEL X**  
(WITH OPTIONAL TABLE  
AND WORKSURFACE)



**MODEL X**



**MODEL X**  
(WITH OPTIONAL BASE CABINETS  
AND WORKSURFACE)



**SECTION A-A**

**OPTIONAL EQUIPMENT AND SERVICES**

1. PLUMBING SERVICE
2. ELECTRICAL SERVICES
3. EXHAUST SYSTEMS
4. FIRE EXTINGUISHER
5. AIR FLOW ALARM
6. VERTICAL RISING SASH
7. COMBINATION SASH

**NOTE:**  
ALL ELECTRICAL COMPONENTS  
UL AND CSA LISTED.

UNIFLOW LE DUAL ENTRY FUME HOOD				
SCALE: 1" = 20"	APPROVED BY:	DATE:	REVISION:	DATE:
DRAWN BY: ENG	REP:	QUOTE No:		
DATE: 1/01/10	PROJECT MGR:	DATE:		
<b>HEMCO Corporation</b> www.HEMCOcorp.com 711 S. POWELL RD INDEPENDENCE, MO 64056 PH:816-796-2900 FAX:816-796-3333		© PLANS AND DRAWINGS ARE COPYRIGHTED BY <i>R. E. Hill</i> DATE 01/01/09	DWG. NO. LE-DUAL ENTRY X1 SHEET. 1 OF 1	